

CostGard™ CONDENSATE DRAIN SYSTEM POSSIBLE INSTALLATION ARRANGEMENT FOR SMALL FAN COIL HVAC UNIT WITH VENT TO AUXILIARY DRAIN PAN

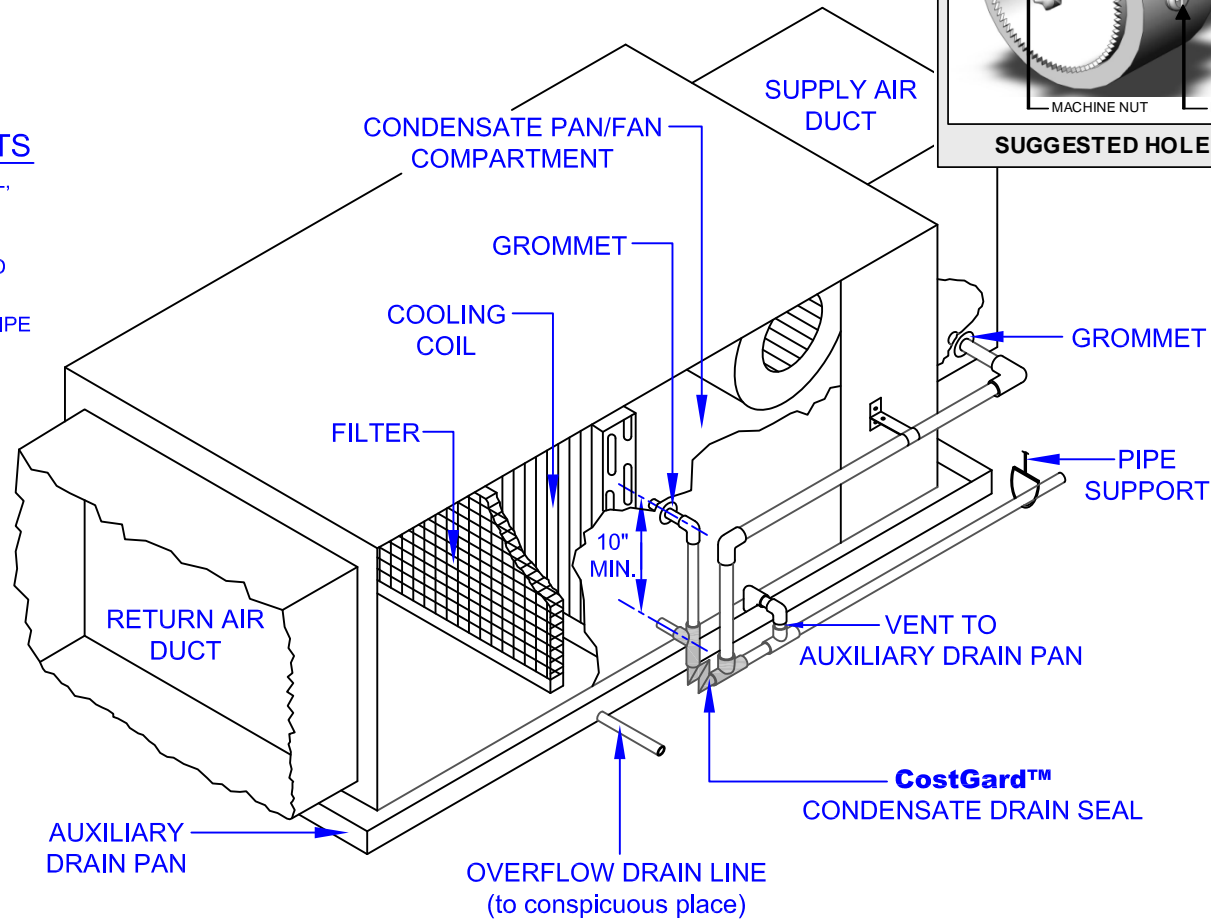
APPLICABILITY

TYPE UNIT: UNITARY OR SPLIT
COOLING CAPACITY: UP TO 30 TONS
DRAIN DIAMETER: 3/4" AND 1"
DRAIN PAN PRESSURE: -1.5" WG OR LESS

DRAIN SYSTEM COMPONENTS

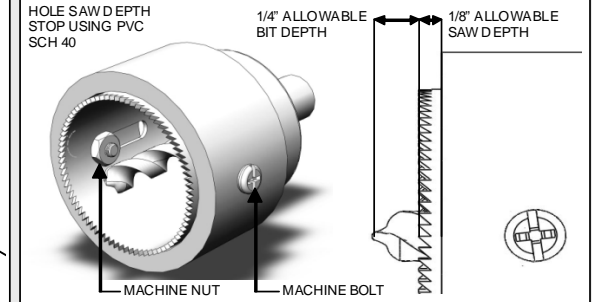
DRAIN SEAL, GROMMETS, WARNING LABEL,
AND INSTALLATION INSTRUCTIONS.

FIELD SUPPLIED: PIPE, PIPE FITTINGS, AND
PIPE SUPPORTS. FOR OUTDOOR
INSTALLATIONS, UV INHIBITED PIPE AND PIPE
FITTINGS ARE RECOMMENDED.



CAUTION

TO PREVENT POSSIBLE DAMAGE
TO INTERNAL COMPONENTS,
EQUIP HOLE SAW WITH DEPTH STOP
SUCH AS ILLUSTRATED BELOW.



SUGGESTED HOLE SAW CONFIGURATION

NOTES:

1. INSTALL PIPE SUPPORTS AS NECESSARY TO ENSURE PIPING INTEGRITY.
2. ROUTE ALL PIPING TO AVOID ACCESS PANELS.
3. MINIMUM 10" REQUIRED BETWEEN CENTERLINE OF CONDENSATE DRAIN AND WHERE THE RISER PIPE ENTERS THE CONDENSATE PAN/FAN COMPARTMENT.
4. DO NOT ALLOW RISER PIPE TO PROTRUDE THROUGH GROMMET MORE THAN 3/4".
5. CONNECTION TO SUPPLY AIR COMPARTMENT MAY VARY.
6. ALLOW 1/8" / FT. SLOPE BETWEEN **CostGard™** AND FLOOR DRAIN.
7. ONCE THE COMPONENTS ARE ASSEMBLED, EACH CONNECTING JOINT MUST BE BONDED WITH PVC CEMENT.

DESCRIPTION:
**CostGard™
CONDENSATE DRAIN SYSTEM**

CONFIDENTIAL PROPERTY OF
Trent Technologies, Inc.
15939 OLD JACKSONVILLE HWY., TYLER, TX 75703
NOT TO BE DISCLOSED TO OTHERS, COPIED, OR
USED FOR ANY REASON EXCEPT AS AUTHORIZED.

SCALE: NONE	DOCUMENT NAME: B-SFC-VA	DATE: 8/7/14
UNLESS OTHERWISE SPECIFIED DIMENSIONS ARE IN INCHES		SHEET: 1 OF 1